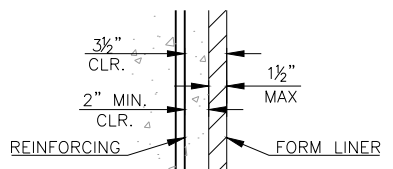
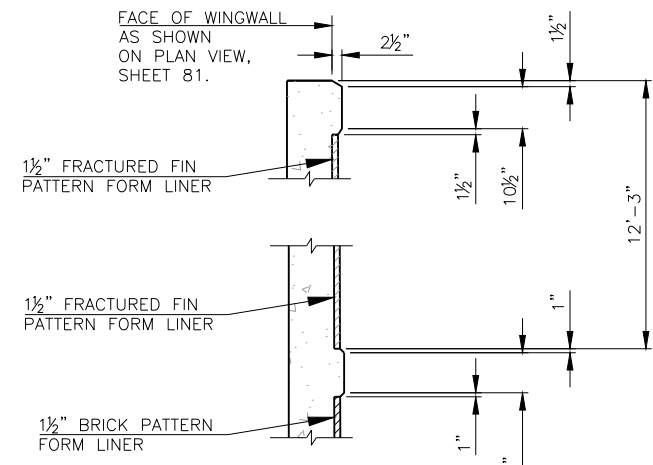


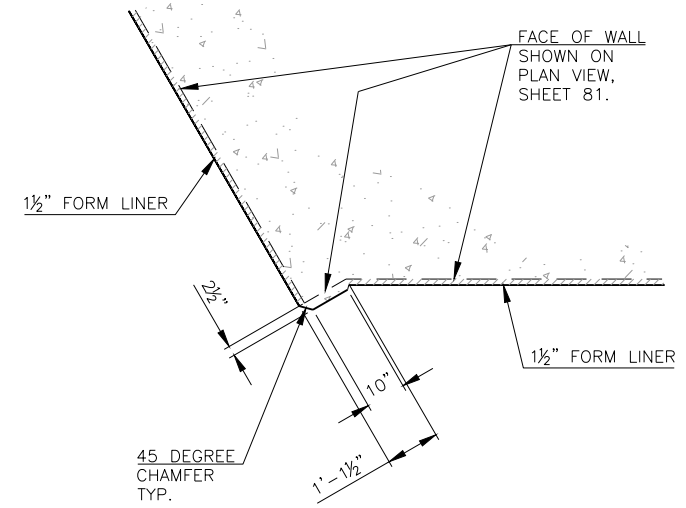
DESCRIPTION	REVISIONS	DATE



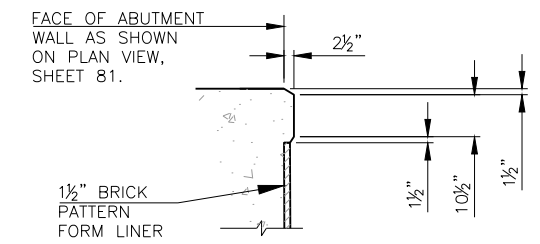
DETAIL OF CLEAR COVER WITH FORM LINER



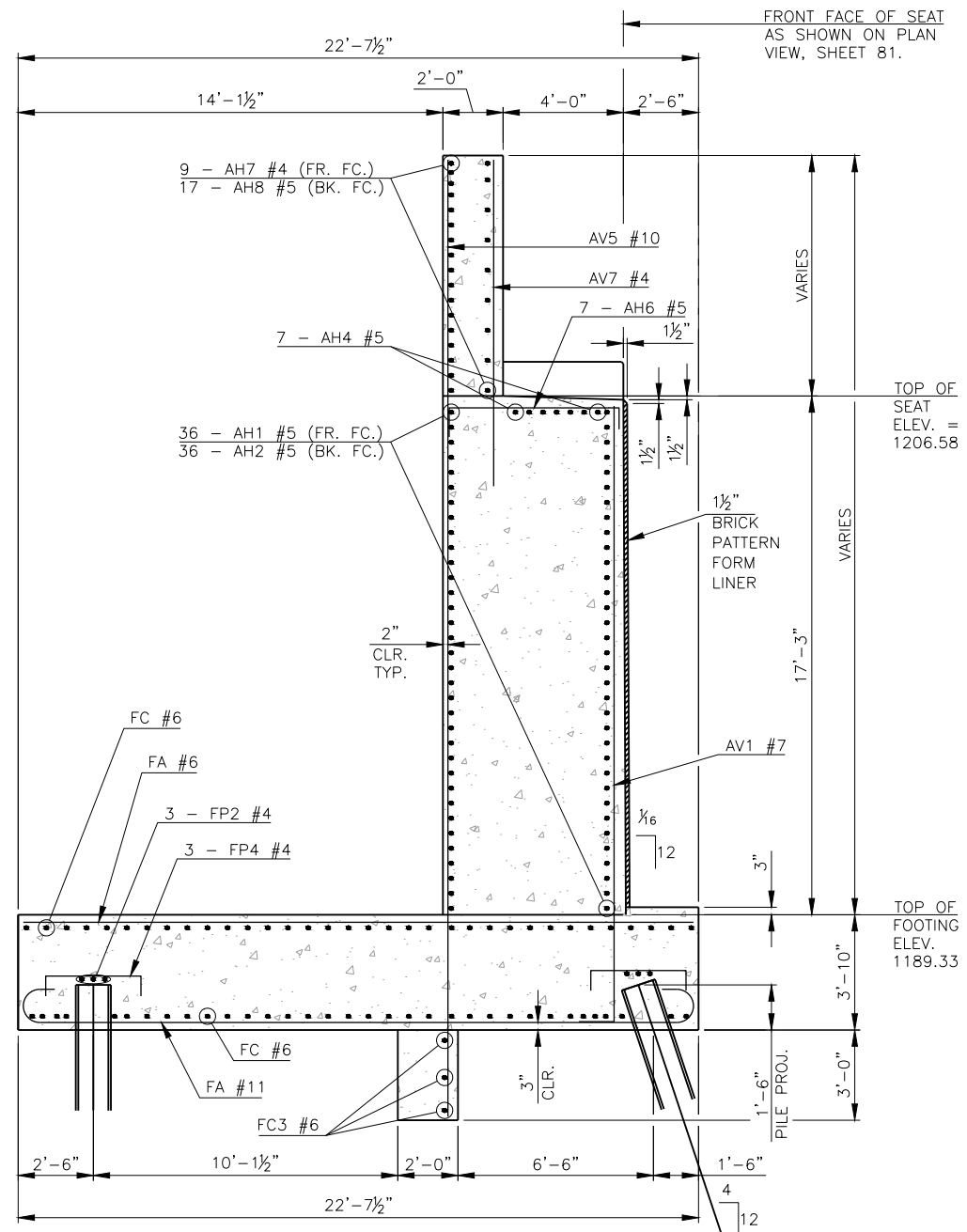
SECTION C-C



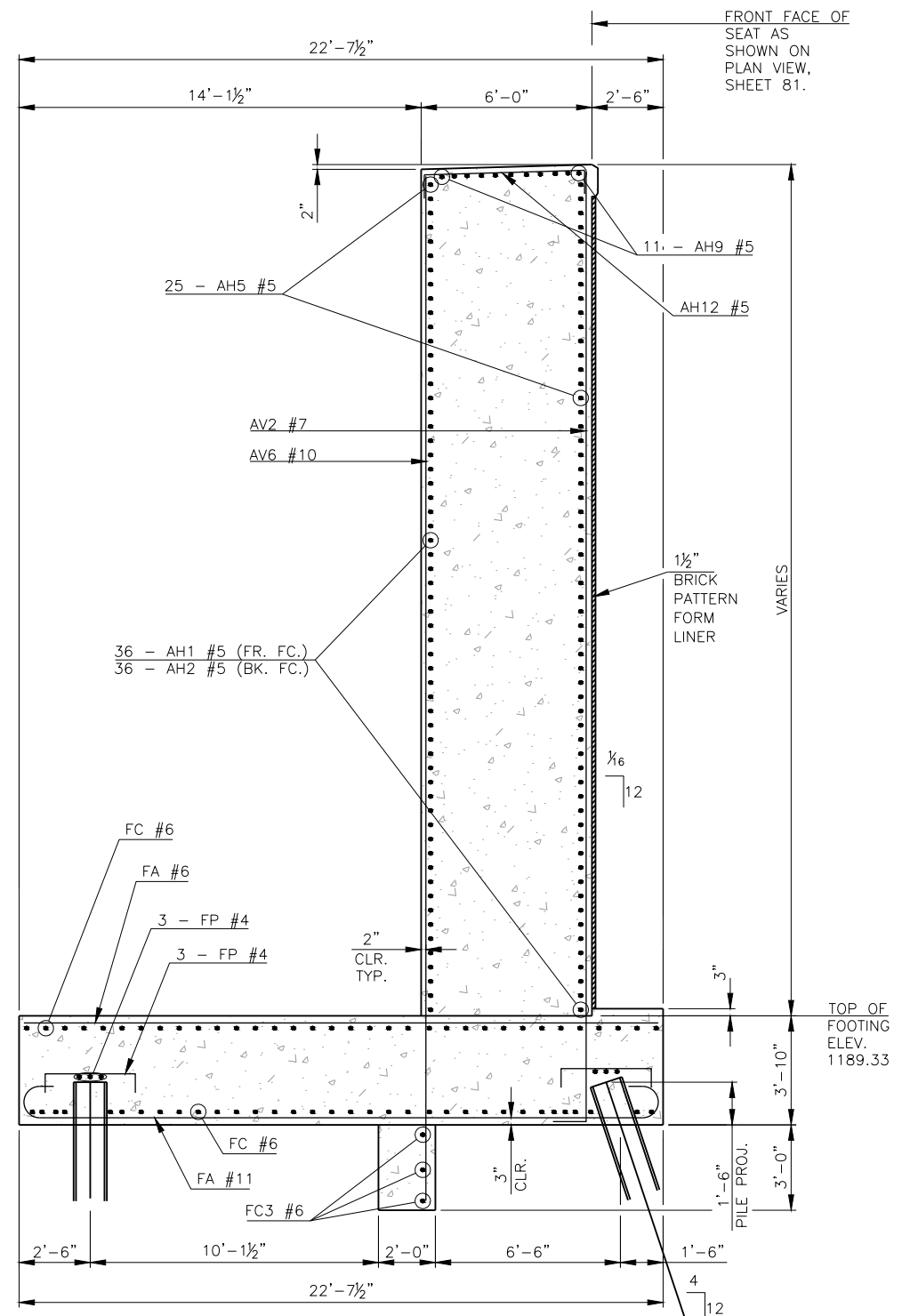
SECTION D-D



SECTION E-E



SECTION A-A



SECTION B-B

DESIGN	T.A.C.	OKLAHOMA CITY BLVD.	OKLAHOMA COUNTY
DRAWN	T.A.C.	OVER CLASSEN BLVD.	BRIDGE A
CHECKED	T.A.C.	ABUTMENT NO. 1 - SECTIONS	
APPROV.	T.A.C.		
SQUAD	CEC		
		JOB PIECE NO. 17428(88)	SHEET NO. 84